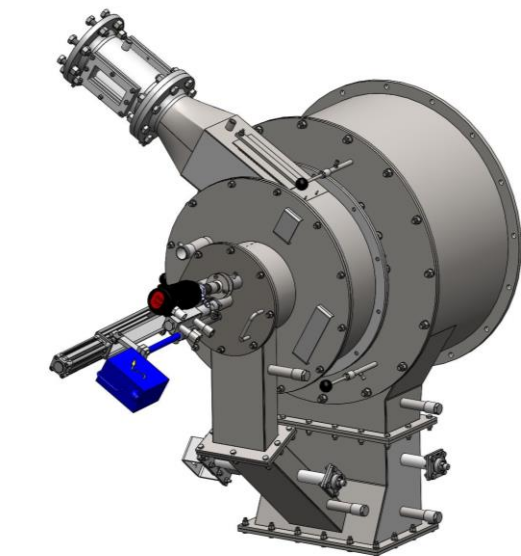




WOOD DUST BURNERS

WOOD DUST BURNERS FOR ENERGY PRODUCTION

Change from expensive fossil fuels (oil or gas) to wood pellets. Save in energy costs and reduce your Carbon Footprint i.e. CO₂ emissions.



SANDER DUST BURNERS FOR PARTICLE BOARD, PLYWOOD AND MEDIUM DENSITY BOARD INDUSTRIES

Custom designed sander dust burners to convert waste sander dust into useful energy in chip dryer or power boiler. In addition to sander dust burners and back-up fuel valve trains we are also supplying sander dust handling, feeding and conveying systems.

- Low support fuel consumption
- Reliable operation
- High availability
- Numerous burner deliveries since 1980



OTHER PRODUCTS

- Non-Condensable Gas (NCG) burners
- Start-up and load burners for recovery boilers
- Start-up and load burners for BFB and CFB boilers
- Burners for gasification industry
- Incinerators and burners for petrochemical industry
- Burners for metallurgical processes



Hakamäenkuja 4-6, FI-01510 Vantaa
Finland
tel. +358 207 871 520
fax +358 207 871 530
info@enviroburners.fi
www.enviroburners.fi

BURNER SOLUTIONS FOR DEMANDING APPLICATIONS
High Quality Burner Systems With 40 Years Experience